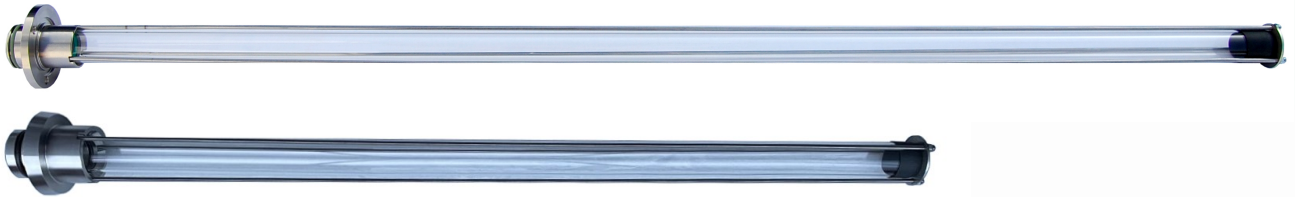


PURION UV-Sets with Safety Basket

The PURION UV-Sets 36 W and PURION UV Sets 90 W and PURION weld in UV Sets can be equipped with a special Safety Basket.

manufacturer

PURION[®] GmbH



The Safety Basket for the PURION product families PURION UV-Set 36 W and PURION UV-Set 90 W and PURION weld in UV Sets enables the assembling in horizontal position and without additional thrust bearing in case of vertical installation. The stabilization allows for new applications.

The new safety basket consists of three support rods made from stainless steel fixed at the head of the immersion tube system. On the other side these rods are fixed at a mounting ring made from stainless steel. The safety basket does not lead to a bigger diameter compared to the head of the immersion tube system. Therefore, this safety feature can be easily integrated into existing installations.

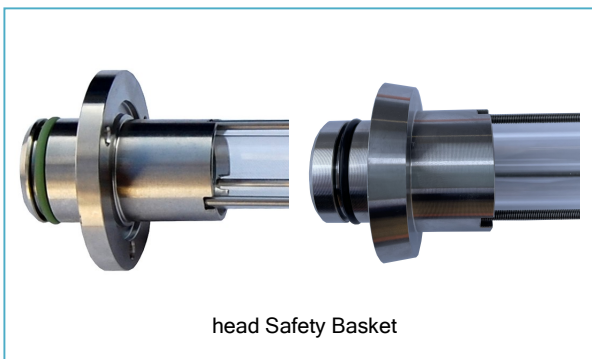
The PURION Safety Basket is especially important in the field of tank disinfection.

additional advantage:

The UV lamp is replaced in the normal way. The compact construction design enables an easy replacement of the UV lamp at the end of their useful life without the need for additional tools.

These PURION UV-Sets can be equipped with the Safety Basket:

type	length mm
UV Set PURION 36 W 110-240 VAC E	920
UV Set PURION 36 W 110-240 VAC E OTC	920
UV Set PURION 36 W 110-240 VAC E OTC2	920
UV Set PURION 36 W 24 VDC E	920
UV Set PURION 36 W 24 VDC E OTC	920
UV Set PURION 36 W 24 VDC E OTC2	920
UV Set PURION 90 W 110-240 VAC E	920
UV Set PURION 90 W 110-240 VAC E OTC	920
UV Set PURION 90 W 110-240 VAC E OTC2	920
PURION weld in UV Set 48 W 110-240 VAC	570
PURION weld in UV Set 90 W 110-240 VAC	920
PURION weld in UV Set 106 W 110-240 VAC	920



head Safety Basket



thrust bearing Safety Basket

Caution!

UV radiation is dangerous for your skin and eyes! Both your eyes and skin are to be appropriately protected. The user will be responsible for his own safety, as well as for the safety of people who are staying in areas where these radiators are being used. Please bear in mind that materials which are not UVC-resistant may be damaged.